

## Tumble dryer, T3190



Model T3190

- HIGH PRODUCTIVITY – 2 LOADS PER HOUR
- LOW ENERGY CONSUMPTION
- 6 DRYING PROGRAMS
- TEMPERATURE SELECTION
- ANTI-CREASE CYCLE
- WEEKLY EMPTYING OF LINT
- REVERSIBLE DOOR
- TWO MODELS
- SERVICE PROGRAM

The tumble dryer T3190 with microprocessor control has 6 tailor made drying programs for any drying needs. The dryer has temperature and time controls for easy operation and works with RMC (Residual Moisture Control) for an accurate drying result and a low energy consumption. Thanks to the unique ALC (Auto Lint Clean) principle the weekly emptying and maintenance of lint is easy and convenient. The dryer has a reversing drum for less tangling of large items.

Anti-crease cycle in the end of program means that the drum rotates a few seconds every minute until the garment is removed. The tumble dryer T3190 is provided with service program for adjustment of different parameters.

All vital parts are easily accessible for simple service from front and rear.

The machine must be secured to the floor. The tumble dryer T3190 is available with lacquered or stainless steel front.

For further specifications, please see overleaf.

### **LOIPART AB**

P.O. Box 694  
SE 441 18 Alingsås, Sweden  
Phone +46 322 66 83 60  
Telefax +46 322 63 77 47  
E-mail loipart@loipart.se

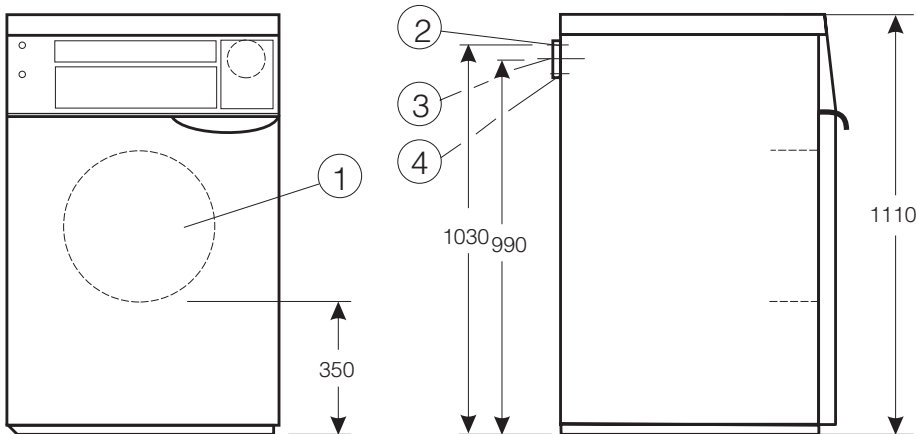
# 19-119

DOC.NO. 19-026L  
EDITION 2 11.03

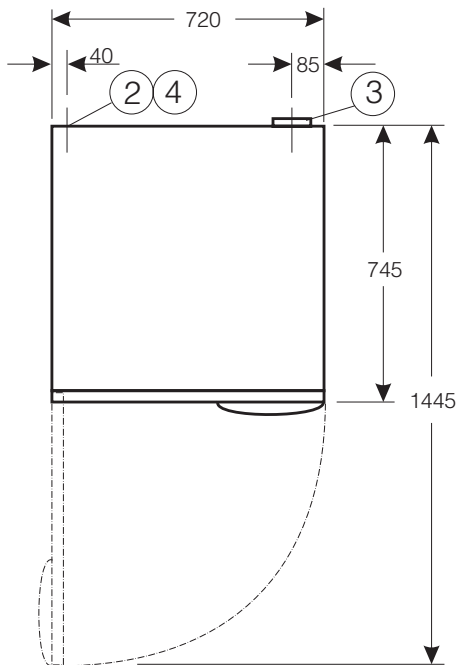
# TUMBLE DRYER T3190

Scale 1:20

Dimensions mm



1. Door opening  $\text{\O} 400 \text{ mm}$
2. Electrical connection
3. Exhaust connection,  $\text{\O} 125 \text{ mm}$
4. Central payment connection

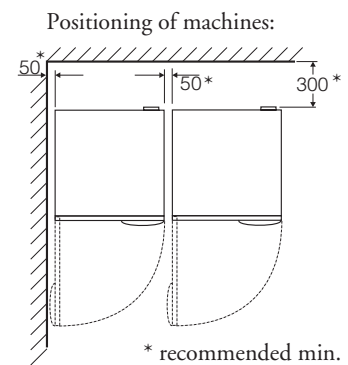
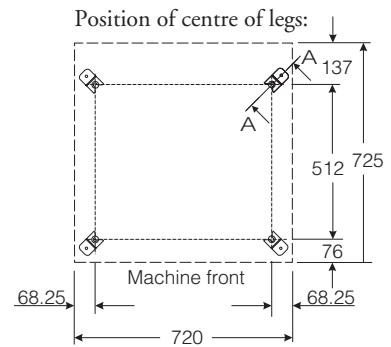
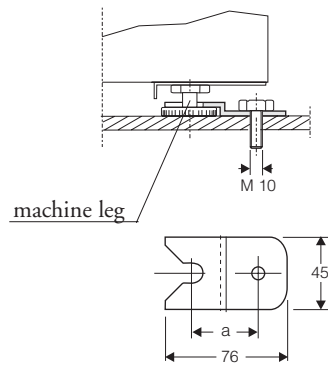


## Installation T3190:

The tumble dryer is to be secured. The machine is delivered with fittings for attachment to the ship deck by means of 4 M10 bolts.

a = center distance adjustable between 40–50 mm.

## Section A-A:



## Specification

Model/Type	Front	Capacity, kg	Innerdrum		Voltage V*	Loading kW	Fuse A	Weight kgs		Shipping volume m <sup>3</sup>
			volume litres	$\text{\O}$ mm				net	gross	
T3190	lacquered	7.5	190	680	400 3-50	6.3	10	77	85	0.700
T3190	s/s				440 3-60					

## Specification

Type	Front	Total time full load*	Energy consumption kWh/load*	Evaporation g/min	Energy kWh/litre water evaporated	Heating electricity kW	Air outlet mm	Evacuated air m <sup>3</sup> /h	Pressure drop max Pa	Soun level dB(A)
T3190	lacquered	37 min	3.45	102	0.92	6	$\text{\O} 125$	220	250	<70
T3190	s/s	29 min	3.53	129	0.94	8		290		

\* At rated capacity 100% cotton load at 50% initial moisture dried to 0%.

19-119

Subject to changes without notice.

## Tumble dryers, T4250, T4350



Model T 4250/4350

- HIGH PRODUCTIVITY – 2 LOADS PER HOUR
- LOW ENERGY CONSUMPTION FOR OPTIMAL EFFICIENCY
- 5-9 DRYING PROGRAMS AND 2 AUTO STOP PROGRAMS
- TEMPERATURE SELECTION
- ANTI-CREASE CYCLE
- SELF-CLEANING LINT SCREEN
- STAINLESS STEEL FRONT
- REVERSIBLE DOOR WITH LARGE DOOR OPENING
- SERVICE PROGRAM

The tumble dryers T4250 and T4350 with microprocessor control have 5-9 tailor made drying programs and 2 auto stop programs for extra dry and dry. The microprocessor makes possible an accurate temperature control for unmatched drying accuracy. Anti-crease cycle in the end of program means that the drum rotates a few seconds every minute until the garment is removed.

The tumble dryers are provided with large door opening for easy loading and unloading and a large self-cleaning lint screen for easy maintenance. The tumble dryers are provided with service program for adjustment of different parameters.

All vital parts are easily accessible for simple service from front and rear.

The machine must be secured to the floor. For further specifications, please see overleaf.

### **LOIPART AB**

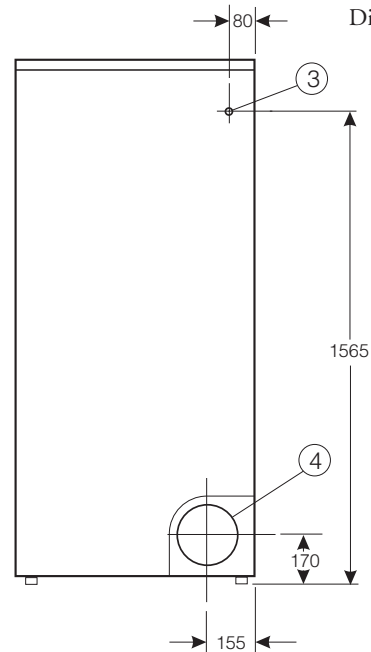
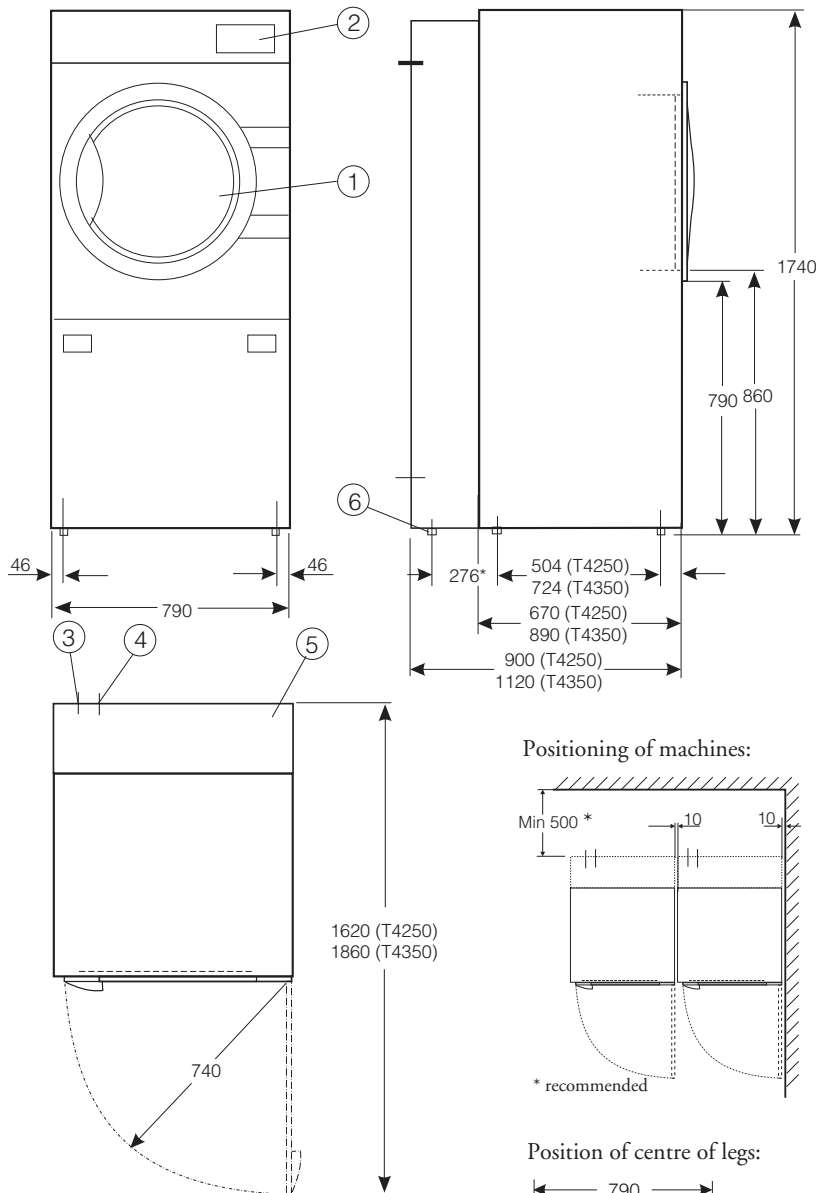
P.O. Box 694  
SE 441 18 Alingsås, Sweden  
Phone +46 322 66 83 60  
Telefax +46 322 63 77 47  
E-mail loipart@loipart.se

# 19-121

DOC.NO. 19-121L  
EDITION 1 06.04

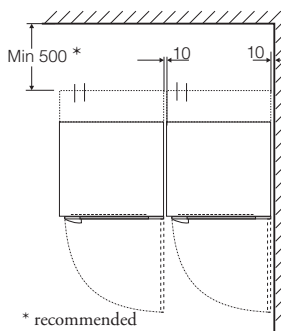
# TUMBLE DRYERS, T4250, T4350

Scale 1:25  
Dimensions mm

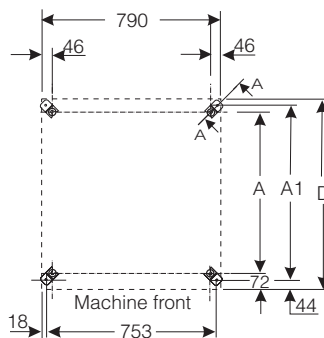


1. Door opening  $\varnothing$  580 mm
2. Control panel
3. Electrical connection
4. Exhaust connection  $\varnothing$  200 mm
5. Heating unit (removable)
6. Rear pair of feet (model T4250 only)

### Positioning of machines:



### Position of centre of legs:



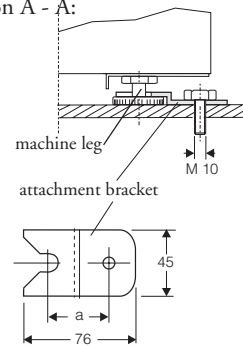
### Installation T4250/4350:

The heating unit of the machine can be removed for easy installation (access through standard door). The tumble dryer is to be secured. The machine is delivered with fittings for attachment to the ship deck by means of 4 M10 bolts (see below).

### Specifications - dimensions in mm

Model	Dimensions		
	A	A1	D
T4250	504	557	900
T4350	724	777	1120

### Section A - A:



a = center distance adjustable between 40-50 mm.

### Specifications

Model	Capacity, kg	Innerdrum		Voltage V	Loading kW	Fuse A	Weight kgs		Shipping volume m <sup>3</sup>
		volume ltrs	$\varnothing$ mm				net	gross	
T4250	11	250	760	400 3-50	14.5	32	185	205	1.400
T4350	16	349		440 3-60			204	224	

### Specifications

Type	Total time full load min *	Energy consumption kWh/load *	Evaporation g/min *	Energy kWh/litre water evaporated*	Heating electricity kW	Air outlet mm	Evacuated air m <sup>3</sup> /h	Pressure drop max Pa	Soun level dB(A)
T4250	27	8	214	1.02	13.5	$\varnothing$ 200	600	500	<70
T4350	34	7.9	232	0.95				300	

\* At rated capacity 100% cotton load at 50% initial moisture dried to 0%.

## Tumble dryers, T3530, T3650



Type T3530/3650

- HIGH PRODUCTIVITY – 2 LOADS PER HOUR
- TEMPERATURE SELECTION
- ANTI-CREASE CYCLE
- LARGE DOOR OPENING FOR EASY OPERATION
- STAINLESS STEEL FRONT
- LARGE SELF CLEANING LINT SCREEN
- SERVICE PROGRAM

The tumble dryers T3530 and T3650 with microprocessor control have an accurate temperature control for unmatched drying accuracy. Only one external connection for electricity, utility and exhaust means simple installation. Anti-crease cycle in the end of program means that the drum rotates a few seconds every minute until the garment is removed.

The tumble dryers are provided with large door opening for easy loading and unloading and a large self-cleaning lint screen for easy maintenance. The tumble dryers are provided with service program for adjustment of different parameters.

All vital parts are easily accessible for simple service from front and rear.

The machine must be secured to the floor. For further specifications, please see overleaf.

### **LOIPART AB**

P.O. Box 694  
SE 441 18 Alingsås, Sweden  
Phone +46 322 66 83 60  
Telefax +46 322 63 77 47  
E-mail loipart@loipart.se

# 19-123

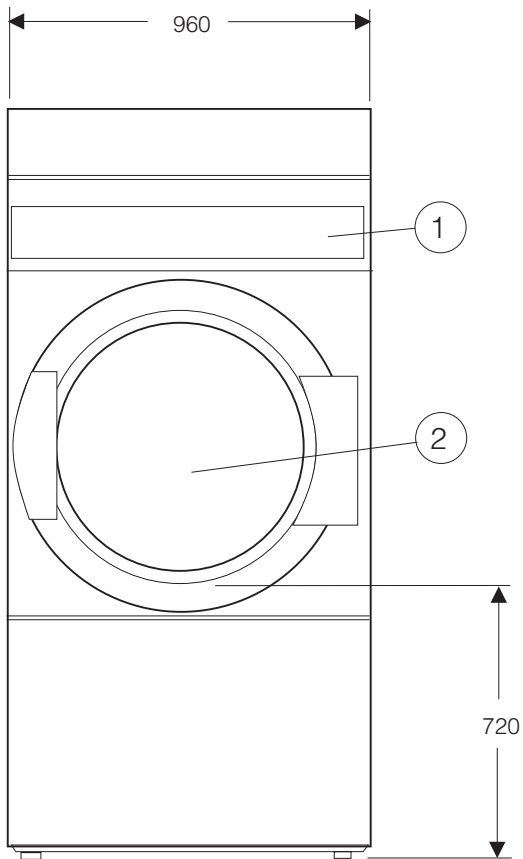
DOC.NO. 19-123L  
EDITION 1 09.00

# TUMBLE DRYERS T3530, T3650

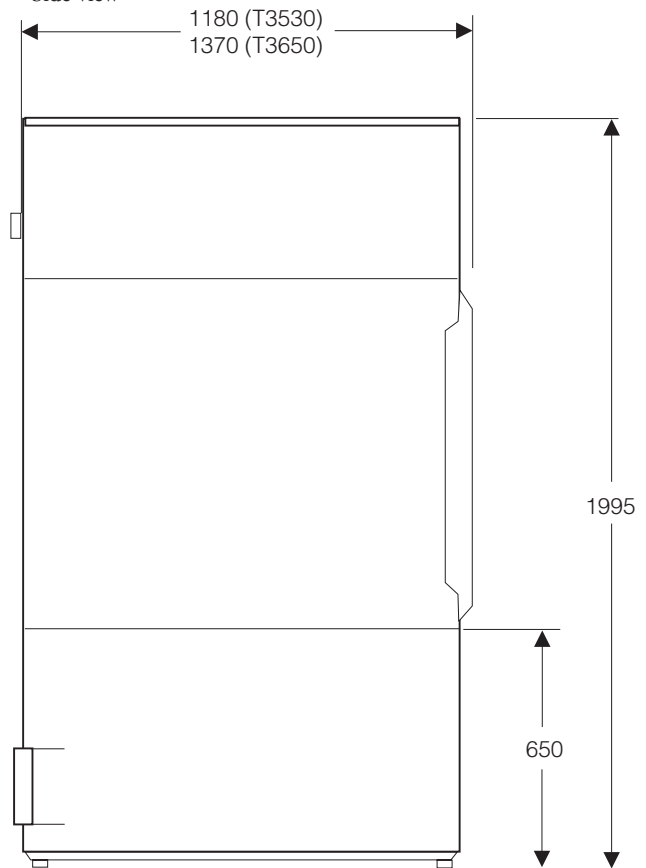
Scale 1:20

Dimensions mm

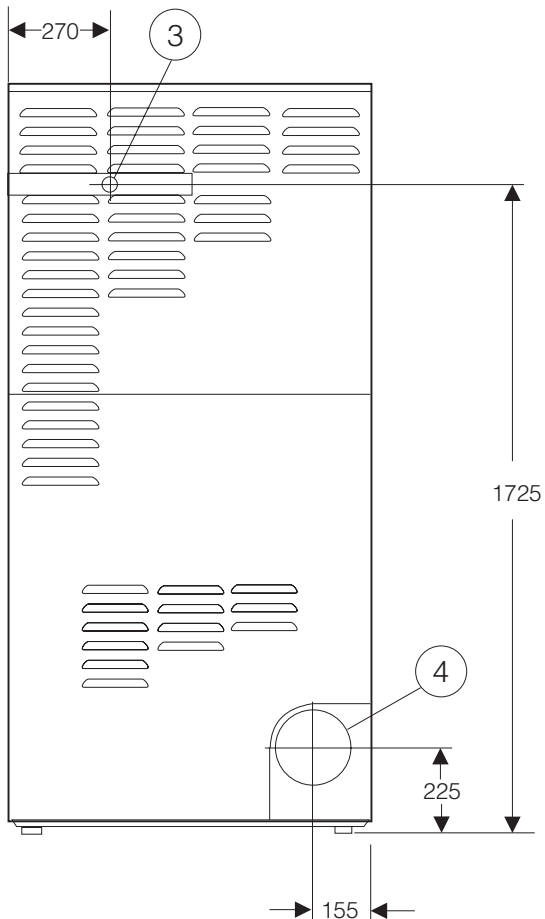
Front view



Side view



Rear view



1. Control panel
2. Door opening  $\varnothing$  810 mm
3. Electrical connection
4. Exhaust connection  $\varnothing$  200 mm

# TUMBLE DRYERS T3530, T3650

## Specification

Model/Type	Capacity kg	Innerdrum		Voltage V	Loading kW	Fuse A	Weight kgs		Shipping volume m <sup>3</sup>
		volume litres	Ø mm				net	gross	
T3530	23	528	913	400 3-50	32	50	355	370	2.620
T3650	34	650		440 3-60	38	63			3.060

## Specification

Model/Type	Total time full load*	Energy consumption kWh/load*	Evaporation g/min	Energy kWh/litre water evaporated	Heating, electricity kW	Air outlet outer Ø mm	Evacuated air m <sup>3</sup> /h	Pressure drop max.Pa	Sound level dB(A)
T3530	31	14.2	369	1.26	30	200	1060	200	<70
T3650	37	20.9	461	1.23	36		1500	340	

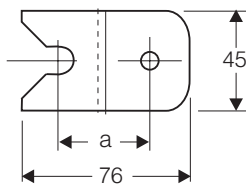
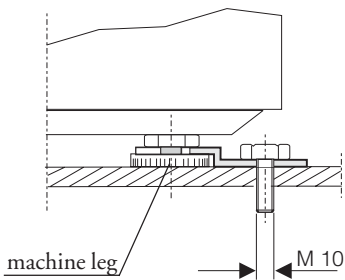
\* At rated capacity 100% cotton load at 50% initial moisture dried to 0%.

## Installation:

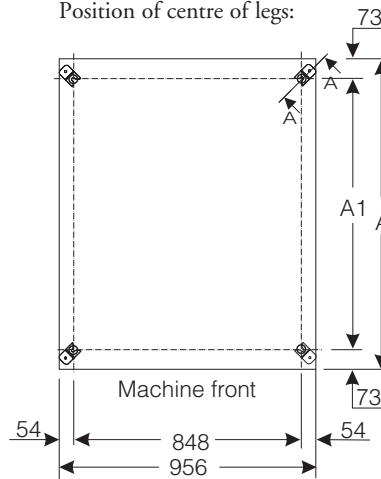
The tumble dryer is to be secured. The machine is delivered with fittings for attachment to the ship deck by means of 4 M10 bolts.

a= center distance adjustable between 40–50 mm.

## Section A - A:



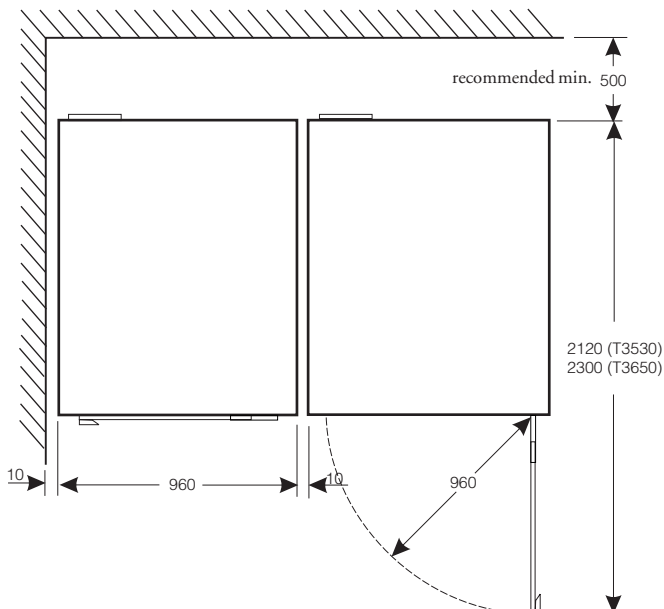
## Position of centre of legs:



## Dimensions in mm

Model/Type	A1	A
T3530	1011	1157
T3650	1201	1347

## Positioning of machines:



# TUMBLE DRYERS T3530, T3650